



MeterBoxesDirect.co.uk



**FIXING STUDS SURFACE MOUNTED
METER BOX COVER MK2
(ALL MK2 BOXES) BY TRICEL**

STOCK CODE: EK0005



FIXING STUDS SURFACE MOUNTED METER BOX COVER MK2 (ALL MK2 BOXES) BY TRICEL

STOCK CODE: EK0005

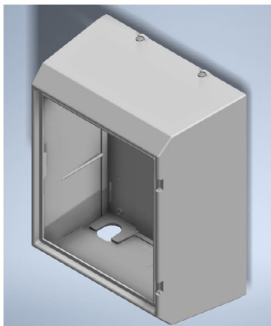
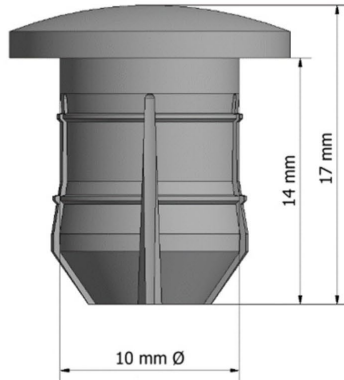


BUY ONLINE NOW

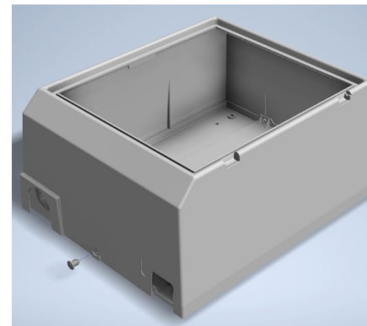
Fixing solution for Mark 2 surface mounted front cover with the back frame.
Quantity: Six studs per pack.

DIMENSIONS:

10mm shank diameter, 16mm head diameter, 17mm total height.



In-situ Stud fitted with Mark 2 Surface meter boxes.



Easy push-fit installation images

ASSOCIATED PRODUCTS:



GDP0004:
Mark 2 Surface Mounted Gas
Box Door and Frame



GBP0002:
UK Standard Mark 2 Surface
Mounted Gas Meter Box



EBP0022:
Mark 2 Surface Mounted Electric
Meter Box

* Approximate dimensions.

In accordance with Tricel's normal policy of product development these specifications are subject to change without notice.

Tricel (Gloucester) Ltd. - Fox House, Stonedale Road, Stonehouse, Gloucestershire, GL10 3SA, United Kingdom.

Tel: 0844 809 4206 | Email: onlinesales@meterboxesdirect.co.uk | www.meterboxesdirect.co.uk