

Meter Box Commercial IP43 Kiosk

500mm x 500mm x 300mm Surface

STOCK CODE: EBP0027

Suitable for electrical and commercial installations. Complies with the international standard for empty enclosures as applied to low-voltage switchgear and control gear assemblies (IEC 62208:2011)

KEY FEATURES

- Electromagnetic compatibility, ideal for protecting internal electronic communication.
- Suitable for low-voltage switchgear and control gear assemblies, meters, compressors, etc.
- Will not corrode, weather resistant with an IP43 rating.
- High impact resistance up to 20 Kilojoules (IK10).
- Double insulation and electrically non-conductive (1000V).
- Triple lock system supported by non-corrosive vertical bars.
- Door hinges on right, 180° opening.
- Easily cleaned and can be painted.

SPECIFICATONS

- Constructed from Glass Reinforced Plastic (GRP).
- Supplied with hinges, lock and key.
- Polyester back mounting plate (optional) available.
- Supplied in light grey colour (Ral 7035).
- Suitable for use in temperatures ranging from -30°C to +120°C.
- Made from non-hygroscopic material ensuring minimum water absorption.
- Constructed from halogen-free and self-extinguishing material.
- UV protected.

ASSOCIATED PRODUCTS

[Backplate \(30.05.010BACK\)](#)

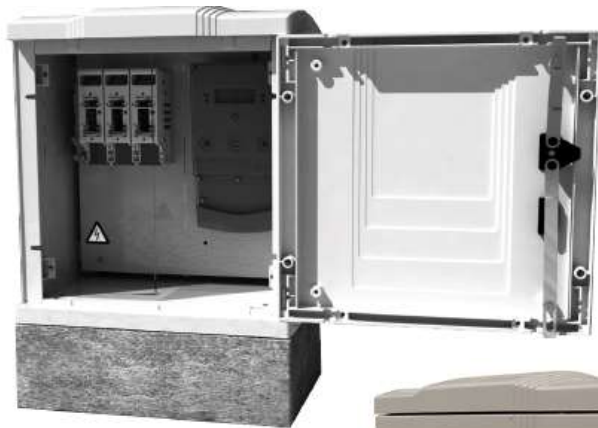
[Hockey stick](#)

DIMENSIONS

500mm high x 500mm wide x 300mm deep.

The overall height of this box is 563 mm.

The opening size is 468mm x 428mm*.



* Approximate dimensions.

In accordance with MBD's normal policy of product development, these specifications are subject to change without notice.

Tricel (Gloucester) Ltd, Fox House, Stonedale Road, Stonehouse, Gloucestershire, GL10 3SA, United Kingdom.

Tel: 0844 809 4206 | Email: onlinesales@meterboxesdirect.co.uk | www.meterboxesdirect.co.uk

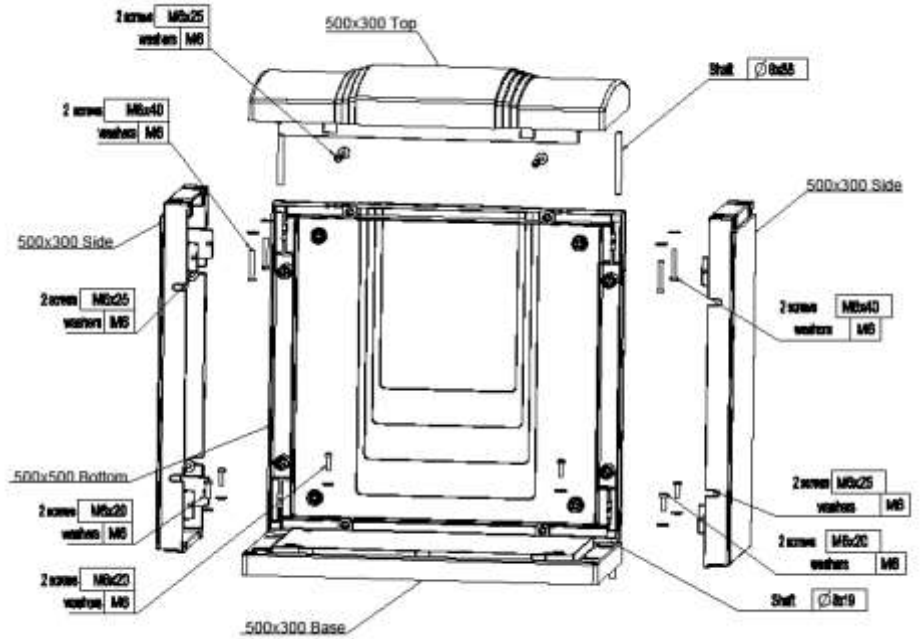
EBP0027-2057/0-MBD-March 2018

Meter Box Commercial IP43 Kiosk

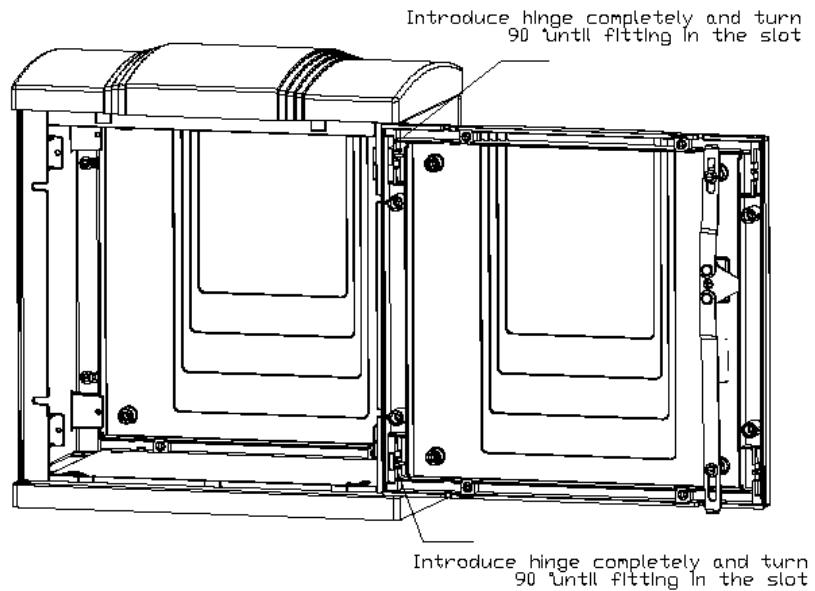
500mm x 500mm x 300mm Surface

STOCK CODE: EBP0027

ASSEMBLY INSTRUCTIONS



DOOR ASSEMBLY



* Approximate dimensions.

In accordance with MBD's normal policy of product development, these specifications are subject to change without notice.