



MeterBoxesDirect.co.uk



IP43 KIOSK SINGLE DOOR BY TRICEL

1000x500x300mm FLAT PACK
COMPLIANT TO IEC 62208:2011
STOCK CODE: 102211



IP43 KIOSK SINGLE DOOR BY TRICEL

1000x500x300mm FLAT PACK
COMPLIANT TO IEC 62208:2011
STOCK CODE: 102211



BUY ONLINE NOW

DIMENSIONS

- 1000mm high x 500mm wide x 300mm deep.
- The overall height of this box is 1066 mm and overall width is 504mm.
- The opening size is 971mm x 428mm*.

KEY FEATURES

- Electromagnetic compatibility, ideal for protecting internal electronic communication.
- Suitable for low-voltage switchgear and control gear assemblies, meters, compressors, etc.
- Will not corrode, weather resistant to IP43 grade protection.
- High impact resistance up to 20 Kilojoules (IK10).
- Double insulation and electrically non-conductive (1000V).
- Triple lock system supported by non-corrosive vertical bars.
- Door hinges on right, 180° opening.
- Easily cleaned and can be painted.

SPECIFICATIONS

- Constructed from GRP.
- Supplied with hinges, lock and key.
- Polyester back mounting plate (optional) available.
- Supplied in light grey colour (Ral 7035).
- Suitable for use in temperatures ranging from -30°C to +70°C.
- Made from non-hygroscopic material ensuring minimum water absorption.
- Constructed from halogen-free and self-extinguishing material.
- UV protected.



Example electrical indirect metering



ASSOCIATED PRODUCT

- [105218:44mm Hockey Stick](#) suitable for use on internal and external walls
- [EC1002: 38mm Hockey Stick](#) suitable for use on internal and external walls
- [102214: Kiosk Pedestal, 750x500x300 Flat pack](#)
- [102653: GRP Back Plate](#)

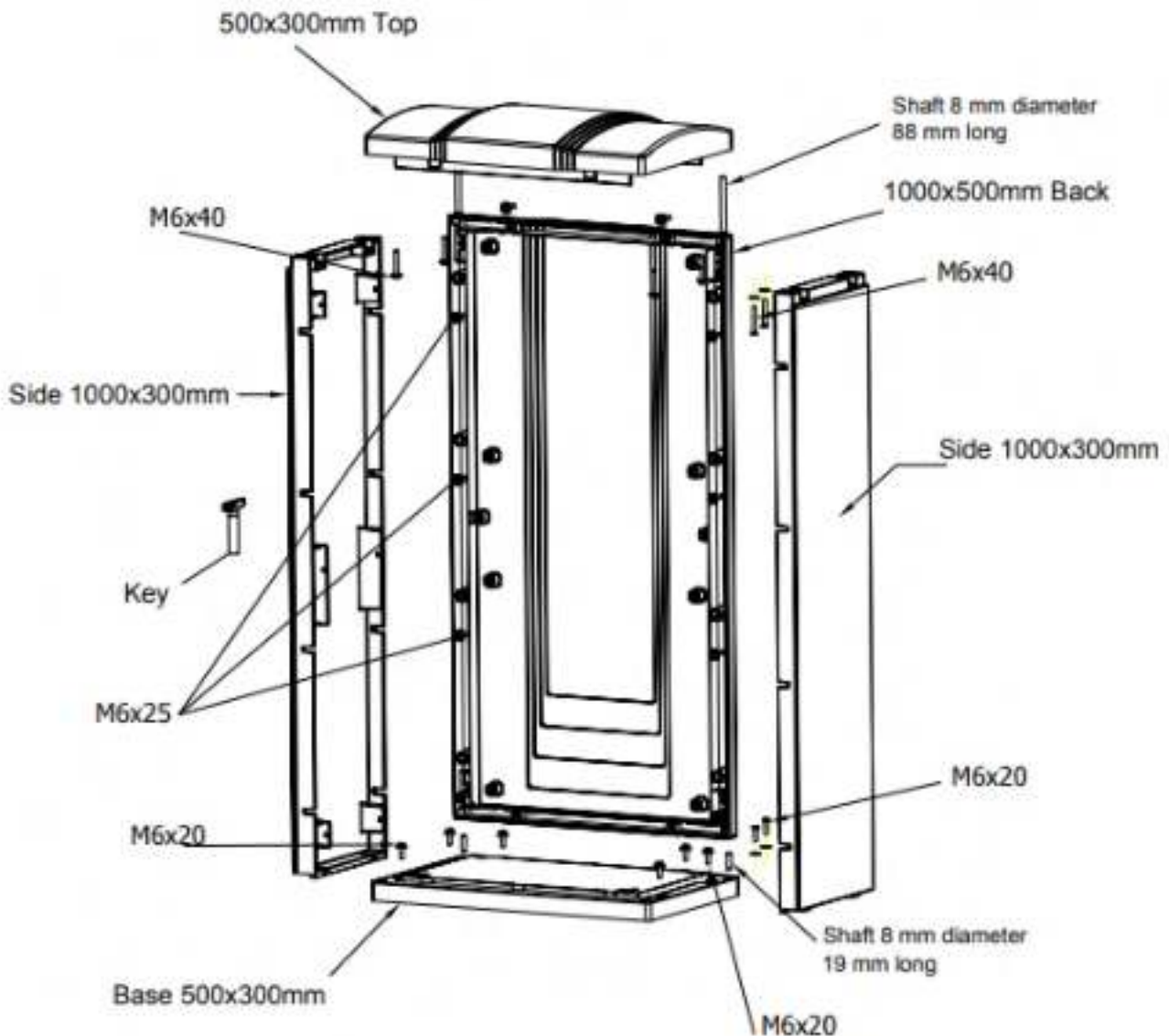
IP43 KIOSK SINGLE DOOR BY TRICEL

1000x500x300mm FLAT PACK
COMPLIANT TO IEC 62208:2011
STOCK CODE: 102211



BUY ONLINE NOW

ASSEMBLY INSTRUCTIONS SEAL AND KIOSK BODY



* Approximate dimensions.

In accordance with Tricel's normal policy of product development these specifications are subject to change without notice.

Tricel (Gloucester) Ltd. - Fox House, Stonedale Road, Stonehouse, Gloucestershire, GL10 3SA, United Kingdom.

Tel: 0844 809 4206 | Email: onsales@meterboxesdirect.co.uk | www.meterboxesdirect.co.uk



SEAL ASSEMBLY INSTRUCTIONS BOTTOM SEAL

Tools required: Scissor or Knife

Step 1:

- Get the bag labelled **(BO-1-Bottom)**
- Trim seals to required length along front and back sections. Do not cover tabs.
- Remove the adhesive strip and apply slight pressure against the panel surface to ensure the seals adhere.



* Approximate dimensions.

In accordance with Tricel's normal policy of product development these specifications are subject to change without notice.

Tricel (Gloucester) Ltd. - Fox House, Stonedale Road, Stonehouse, Gloucestershire, GL10 3SA, United Kingdom.

Tel: 0844 809 4206 | Email: onlinesales@meterboxesdirect.co.uk | www.meterboxesdirect.co.uk



SEAL ASSEMBLY INSTRUCTIONS RIGHT SEAL

Step 2:

Once two side panels are fitted you need two seals on either side panel, a seal for the front and the rear of both panels will be needed.

- Starting with the right panel get the bag labelled **(BO-4-Left&Right)** and use the smaller of the two seals to begin with.
- Measure from the top of the side panel down to the bottom panel and cut seal to length.
- Once the seal is cut, remove the adhesive and apply to the surface keeping the pressure down to ensure the seal sticks.
- Locate larger seal and apply to the rear of the panel as shown.

Front Seal



Rear Seal





SEAL ASSEMBLY INSTRUCTIONS LEFT SEAL

Step 2:

- Get the bag labelled **(BO-4-Left&Right)** and measure the length from top to bottom of the panel.
- Remove adhesive strip and press onto the surface ensuring it is even along the surface.



- Next, measure the distance from the end of the seal to the inside of the panel where no seal is evident.
- Cut two small tabs to make the front of the panel fully sealed.



IP43 KIOSK SINGLE DOOR BY TRICEL

1000x500x300mm FLAT PACK
COMPLIANT TO IEC 62208:2011
STOCK CODE: 102211



BUY ONLINE NOW

SEAL ASSEMBLY INSTRUCTIONS LEFT SEAL

- Finally, add seal to the bottom panel and meet the seal at side panel.
- Attach seal to the final left hand section as shown below.
- Then, apply seal to the final section on the right hand side.



TRICEL
CONSTRUCTION

* Approximate dimensions.

In accordance with Tricel's normal policy of product development these specifications are subject to change without notice.

Tricel (Gloucester) Ltd. - Fox House, Stonedale Road, Stonehouse, Gloucestershire, GL10 3SA, United Kingdom.

Tel: 0844 809 4206 | Email: onsales@meterboxesdirect.co.uk | www.meterboxesdirect.co.uk

102211-1020214/3-MBD-NOV2022



SEAL ASSEMBLY INSTRUCTIONS TOP COVER SEAL

Step 3:

- To assemble the kiosk, get the top cover and the bag labelled (BO-3-Back). The seal is pre-cut for assembling.
- Once the metal pins are in place, the seal should begin by going around the pins and following the flow of the panel.
- Once again, remove the adhesive tape and place pressure on the seal to ensure it sits correctly.



**Cut at location indicated
with arrow above if required**





SEAL ASSEMBLY INSTRUCTIONS TOP COVER SEAL

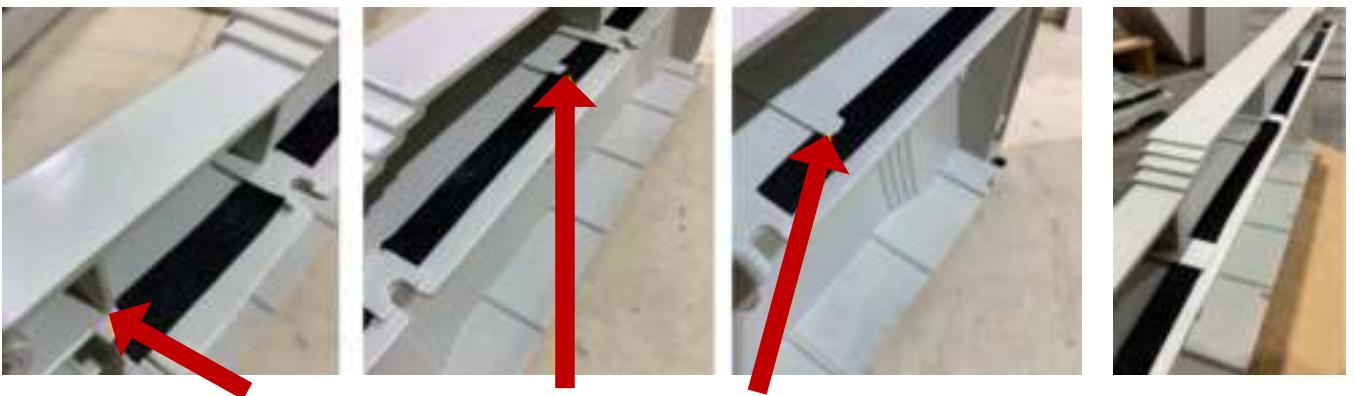
Step 4:

- When the top panel is fitted get the bag labelled **(BO-2-TOP)** and measure the sections along the top panel.
- Do not cover the tabs as this will be completed at a later step.



Place the seal in line with tab

- Measure and cut the seal as shown in the image above.
- Once the seal is cut, remove the yellow tape and stick it to the surface.
- Ensure the tab isn't covered and that the top of the seal is aligned with the bottom of the tab.
- Cut the shown tabs out from the top cover seal. Cut the shown tabs out from the top cover seal.



Cut out tabs as shown to allow for full sealing. Continue sealing along the front cover of the top cover until all sections are complete.



SEAL ASSEMBLY INSTRUCTIONS

FINAL SEALING – TOP & BOTTOM PANEL

Step 5:

Bottom Panel

- Get the bag labelled **(BO-1-Bottom)** and measure across until it meets the seal descending from the right-hand side panel.
- Remove the adhesive tape and stick to the tabs and seal already present.



Ensure the tabs are covered

Top Panel

- Like on the bottom panel, get bag labelled (BO-2-TOP) and begin on the left-hand side starting where the seal finished on the side panel.
- Measure along the top panel and cut where the seal meets the right panel.



* Approximate dimensions.

In accordance with Tricel's normal policy of product development these specifications are subject to change without notice.

Tricel (Gloucester) Ltd. - Fox House, Stonedale Road, Stonehouse, Gloucestershire, GL10 3SA, United Kingdom.

Tel: 0844 809 4206 | Email: onlinesales@meterboxesdirect.co.uk | www.meterboxesdirect.co.uk

IP43 KIOSK SINGLE DOOR BY TRICEL

1000x500x300mm FLAT PACK
COMPLIANT TO IEC 62208:2011
STOCK CODE: 102211



BUY ONLINE NOW

KIOSK BODY ASSEMBLY INSTRUCTIONS

1. Assemble the 2 sides first. The pre-drilled holes with inserts are to be kept at the back of the base plate.



2. Insert the screws to attach the sides to the base, do not fully tighten the screws at this stage. Turn kiosk around, the back of the kiosk facing you.
3. Assemble the back plate to the sides, inserting screws, again do not fully tighten at this stage at 4 corners.



TRICEL
CONSTRUCTION

* Approximate dimensions.

In accordance with Tricel's normal policy of product development these specifications are subject to change without notice.

Tricel (Gloucester) Ltd. - Fox House, Stonedale Road, Stonehouse, Gloucestershire, GL10 3SA, United Kingdom.

Tel: 0844 809 4206 | Email: onsales@meterboxesdirect.co.uk | www.meterboxesdirect.co.uk

102211-1020214/3-MBD-NOV2022

IP43 KIOSK SINGLE DOOR BY TRICEL

1000x500x300mm FLAT PACK
COMPLIANT TO IEC 62208:2011
STOCK CODE: 102211



BUY ONLINE NOW

KIOSK BODY ASSEMBLY INSTRUCTIONS

4. Insert longer dowels at the top of the back plate.



5. Insert the top plate.



6. Insert the 4 screws to attach the top plate to the sides.

7. Fully tighten all of the screws throughout the kiosk.

8. Insert the back plate and tighten screws.

* Approximate dimensions.

In accordance with Tricel's normal policy of product development these specifications are subject to change without notice.

Tricel (Gloucester) Ltd. - Fox House, Stonedale Road, Stonehouse, Gloucestershire, GL10 3SA, United Kingdom.

Tel: 0844 809 4206 | Email: onsales@meterboxesdirect.co.uk | www.meterboxesdirect.co.uk

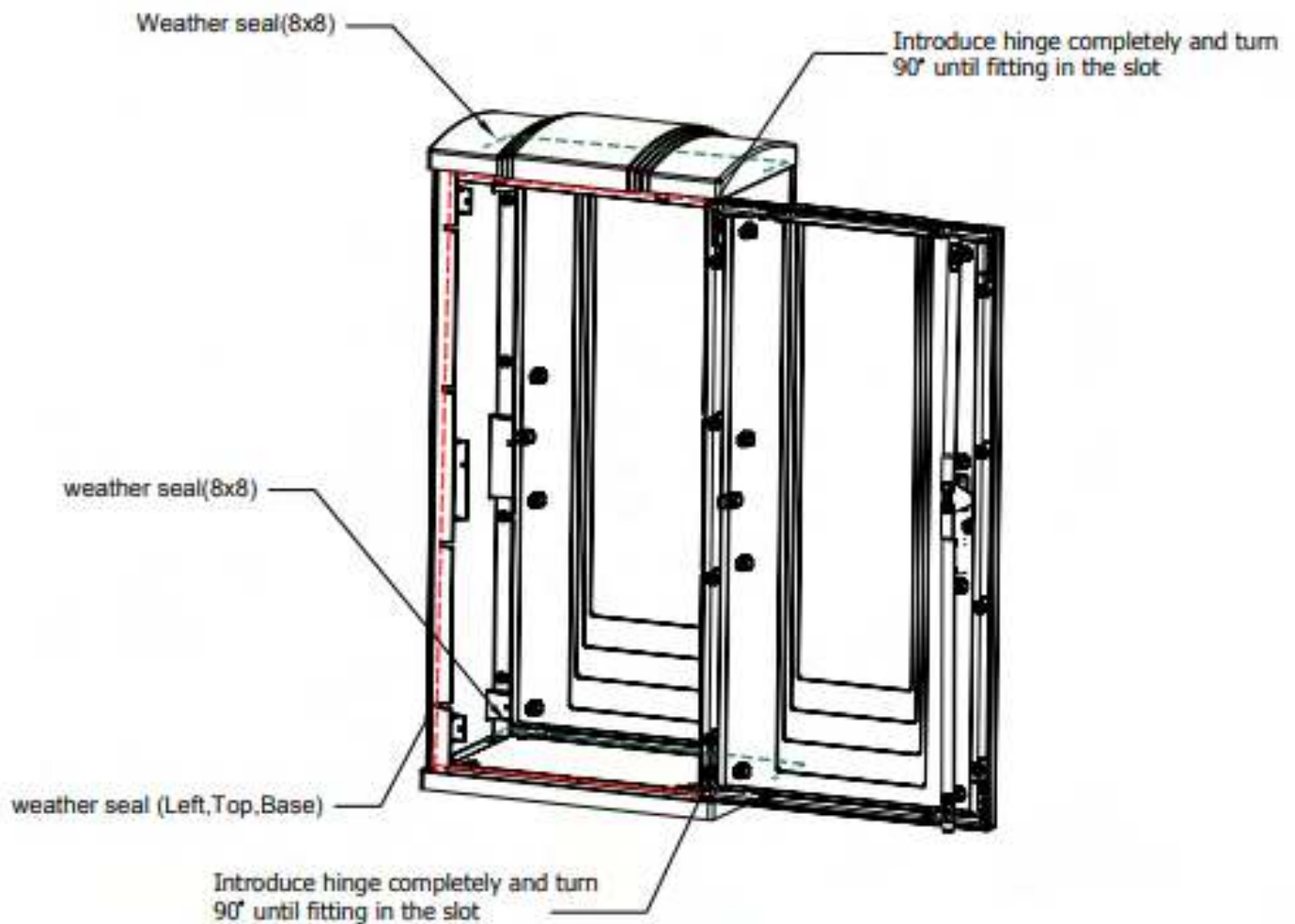
IP43 KIOSK SINGLE DOOR BY TRICEL

1000x500x300mm FLAT PACK
COMPLIANT TO IEC 62208:2011
STOCK CODE: 102211



BUY ONLINE NOW

ASSEMBLY INSTRUCTIONS DOOR ASSEMBLY



Note: Weather seal to be applied carefully to obtain specified weather protection (IP rating).



TRICEL
CONSTRUCTION

* Approximate dimensions.

In accordance with Tricel's normal policy of product development these specifications are subject to change without notice.

Tricel (Gloucester) Ltd. - Fox House, Stonedale Road, Stonehouse, Gloucestershire, GL10 3SA, United Kingdom.

Tel: 0844 809 4206 | Email: onsales@meterboxesdirect.co.uk | www.meterboxesdirect.co.uk

102211-1020214/3-MBD-NOV2022

IP43 KIOSK SINGLE DOOR BY TRICEL

1000x500x300mm FLAT PACK
COMPLIANT TO IEC 62208:2011
STOCK CODE: 102211



BUY ONLINE NOW

DOOR ASSEMBLY INSTRUCTIONS

10. To attach the door, push down the bottom hinges, it will be placed in the groove located at the bottom corner and top corner. Hinges to be turned 90° to lock in place.



11. Push in the brass fitting and slide the lock cover up, turning clockwise with the key and pull out the handle.
12. Close the door as normal pulling down the handle to lock in place.



TRICEL
CONSTRUCTION

* Approximate dimensions.

In accordance with Tricel's normal policy of product development these specifications are subject to change without notice.

Tricel (Gloucester) Ltd. - Fox House, Stonedale Road, Stonehouse, Gloucestershire, GL10 3SA, United Kingdom.

Tel: 0844 809 4206 | Email: onlinesales@meterboxesdirect.co.uk | www.meterboxesdirect.co.uk

102211-1020214/3-MBD-NOV2022