



MeterBoxesDirect.co.uk



## **KIOSK PEDESTAL BY TRICEL**

750x750x300mm  
STOCK CODE: 102213



# KIOSK PEDESTAL BY TRICEL

750x750x300mm

STOCK CODE: 102213



BUY ONLINE NOW

**This Pedestal provides a 300mm high mounting base for Kiosks. The base is 750mm wide x 300mm deep.**

## SPECIFICATIONS

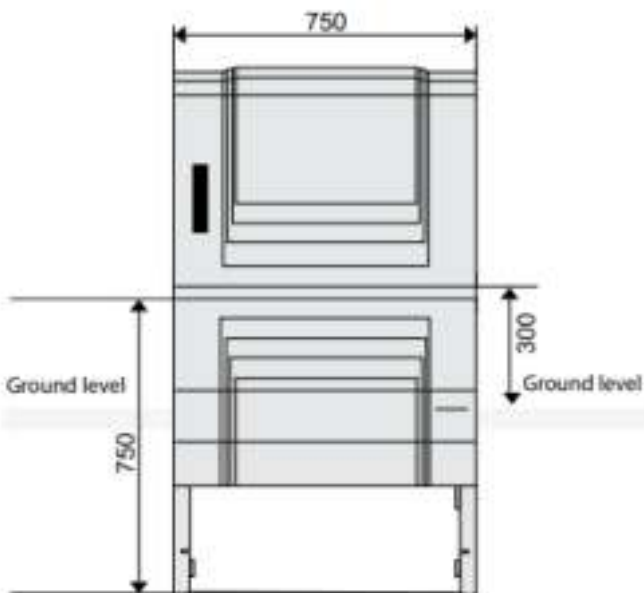
- Constructed from Glass Reinforced Polymer (GRP).
- Parts supplied ready for assembly.
- Supplied in light grey colour (Ral 7035).
- Suitable for use in temperatures ranging from -30°C to +70°C.
- Made from non-hygroscopic material ensuring minimum water absorption.
- Constructed from halogen-free and self-extinguishing material.
- UV protected.

## DIMENSIONS

- The overall height of this Pedestal is 750mm



Kiosk in situ



Pedestal and Kiosk sold separately



Kiosk pedestal



Kiosk pedestal with Kiosk.  
Pedestal does not come provided with Kiosk.

# KIOSK PEDESTAL BY TRICEL

750x750x300mm

STOCK CODE: 102213



BUY ONLINE NOW

**This Pedestal provides a 300mm high mounting base for Kiosks. The base is 750mm wide x 300mm deep.**

## ASSOCIATED PRODUCTS:

[EC1001: Black Hockey Stick suitable for use inside cavity walls](#)

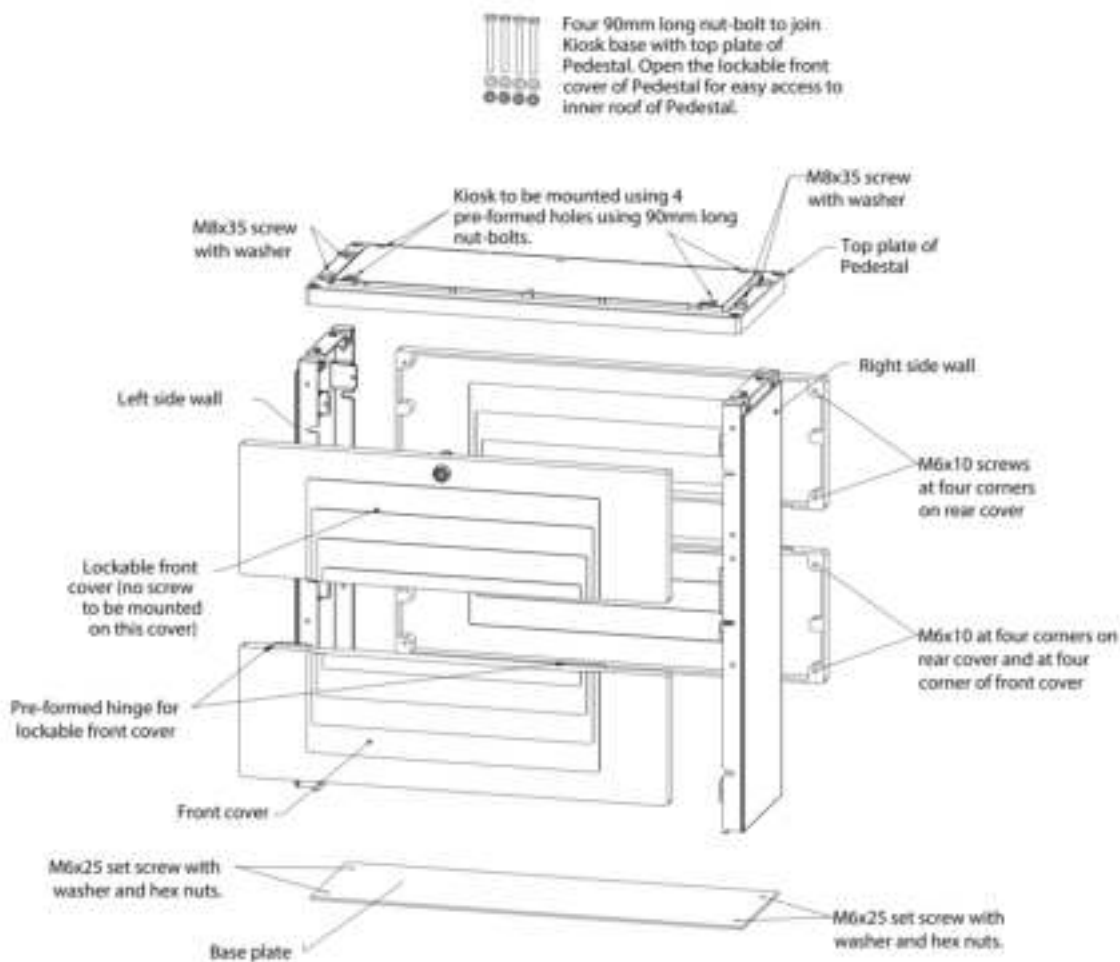
[EC1002: White Hockey Stick suitable for use on external walls](#)

[102208: IP55 Kiosk Single Door Ground Mounted, 500x750x300 Flat pack](#)

[102210: IP55 Kiosk Single Door Ground Mounted, 750x750x300 Flat pack](#)

[102212: IP55 Kiosk Single Door Ground Mounted, 1000x750x300 Flat pack](#)

## ASSEMBLY INSTRUCTIONS



\* Approximate dimensions.

In accordance with Tricel's normal policy of product development these specifications are subject to change without notice.

Tricel (Gloucester) Ltd. - Fox House, Stonedale Road, Stonehouse, Gloucestershire, GL10 3SA, United Kingdom.

Tel: 0844 809 4206 | Email: [onlinesales@meterboxesdirect.co.uk](mailto:onlinesales@meterboxesdirect.co.uk) | [www.meterboxesdirect.co.uk](http://www.meterboxesdirect.co.uk)

# KIOSK PEDESTAL BY TRICEL

750x750x300mm

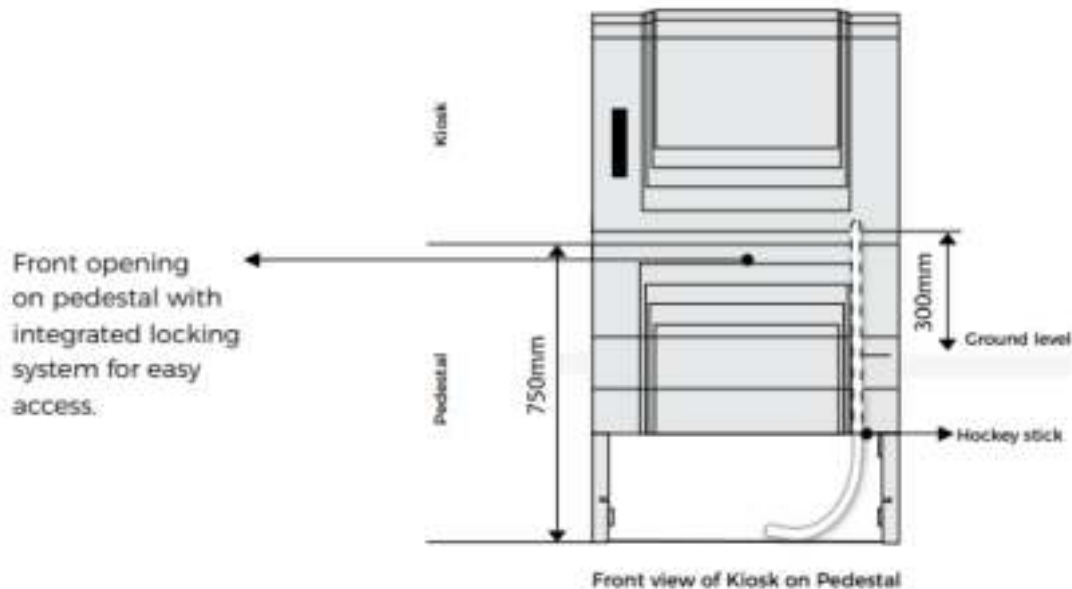
STOCK CODE: 102213



BUY ONLINE NOW

This Pedestal provides a 300mm high mounting base for Kiosks. The base is 750mm wide x 300mm deep.

## GROUND INSTALLATION INSTRUCTIONS



### IMPORTANT DIMENSIONS:

- Height above ground level: 300mm
- Depth below ground level: 450mm

### INSTALLATION PROCEDURE OF PEDESTAL (EXCAVATION REQUIRED):

The top of Pedestal can be drilled for Hockey sticks (outer diameter: 42mm) or ducting to provide entry location for Kiosk base. The Kiosk base will also need to be drilled at same locations to provide inlet location for pipework/Hockey stick (outer diameter 42mm) containing cables. The Hockey sticks may need to be cut to raise the cables to 800mm from the bottom of the Pedestal or as per requirements. Please make sure that the holes on Pedestal top and Kiosk base are drilled on same location to provide access of pipework through Kiosk top to inside of the Kiosk.



\* Approximate dimensions.

In accordance with Tricel's normal policy of product development these specifications are subject to change without notice.

Tricel (Gloucester) Ltd. - Fox House, Stonedale Road, Stonehouse, Gloucestershire, GL10 3SA, United Kingdom.

Tel: 0844 809 4206 | Email: [onsales@meterboxesdirect.co.uk](mailto:onsales@meterboxesdirect.co.uk) | [www.meterboxesdirect.co.uk](http://www.meterboxesdirect.co.uk)

102213-1020222/1-MBD-AUG2021

# KIOSK PEDESTAL BY TRICEL

750x750x300mm

STOCK CODE: 102213



BUY ONLINE NOW

**This Pedestal provides a 300mm high mounting base for Kiosks. The base is 750mm wide x 300mm deep.**

## GROUND INSTALLATION INSTRUCTIONS INSTALLATION PROCEDURE OF PEDESTAL (EXCAVATION REQUIRED):

### Step 1.

The excavation must exceed the dimensions of the Kiosk(s) by 1m, to maintain a space of 500mm all around. For example for a Pedestal having a base dimension 500x300mm (our part no. 102214) the excavation size required is 1500x1300mm and for a Pedestal having base size 750x300mm (our part no. 102213) the excavation size required is 1750x1300mm.

### Step 2.

The depth of the excavation must be 550mm. This depth allows for a 100mm concrete base to be laid beneath the Kiosk(s).

### Step 3.

Ensure that the floor of the excavation is level.

### Step 4.

Create a concrete base to a height of 100mm. The concrete base should extend 150mm all around the Pedestal.

### Step 5.

Ensure that the concrete base is level. Position the Pedestal on the concrete base.

### Step 6.

Using hex-head washer-slotted 6 x 60mm concrete screws, fix the legs of the Pedestal(s) to the concrete base. Note, the Pedestal comes supplied with a base plate that has four pre-drilled corner holes. The plate can be used as a template to locate the drill locations on concrete.

### Step 7.

Complete the laying of the ducting/Hockey sticks that contain the power supply to the Kiosk. Ensure the ducting containing the hoses and the power supply cable rises vertically up above the finished ground level inside the Kiosk.

### Step 8.

The Pedestal front can be locked. Open the lock and remove the front of the Pedestal for easy access. Inside the Pedestal, continue filling with gravel until the gravel layer reaches within 50mm of the finished ground level.

\* Approximate dimensions.

In accordance with Tricel's normal policy of product development these specifications are subject to change without notice.

Tricel (Gloucester) Ltd. - Fox House, Stonedale Road, Stonehouse, Gloucestershire, GL10 3SA, United Kingdom.

Tel: 0844 809 4206 | Email: [onsales@meterboxesdirect.co.uk](mailto:onsales@meterboxesdirect.co.uk) | [www.meterboxesdirect.co.uk](http://www.meterboxesdirect.co.uk)



102213-1020222/1-MBD-AUG2021

# KIOSK PEDESTAL BY TRICEL

750x750x300mm

STOCK CODE: 102213



BUY ONLINE NOW

## Step 9.

A layer of concrete can be applied inside the Pedestal around the ducting/Hockey sticks until the internal level reaches finished ground level.

## Step 10.

Using the supplied nut and bolts (M10 x 90mm), mount the base(s) of Kiosk with the Pedestal's top at four locations. Make sure the holes at the top of Pedestal with Hockey sticks matches the holes at the base of Kiosk. The Hockey sticks or any pipework/connections going inside the Kiosk must be filled with expanding foam to prevent corrosive gases from entering the Kiosk.

## Step 11.

Outside the Pedestal, continue to backfill with gravel until the gravel layer is level with finished ground level.

## Gravel specification:

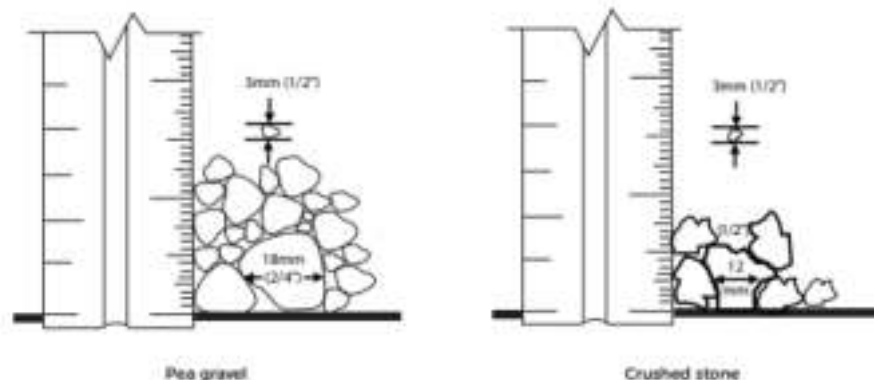
### Rounded pea gravel:

- Minimum particle size 3mm, maximum 18 mm, compacted to a relative density of >70%.
- Gravel shall be clean and free flowing, free from large rocks, dirt, sand, roots, organic materials or debris.
- Upon screening analysis, the backfill material shall have no more than 5% by weight passing 2.36 mm sieve.

Or

### Crushed or processed stone:

- Minimum particle size 3 mm, maximum 12 mm, compacted to a relative density of >40%
- Dry gravel density must be at least 1500 kg/m<sup>3</sup>. Material should be washed or screened to remove fine particles.
- Upon screening analysis, the backfill material shall have no more than 5% by weight passing 2.36mm sieve.



**Warning:** Electrical installations must be carried out by a qualified person/company.