

Fixing Studs

Surface mounted meter box cover MK2
(all MK2 boxes)

10mmx16mmx17mm

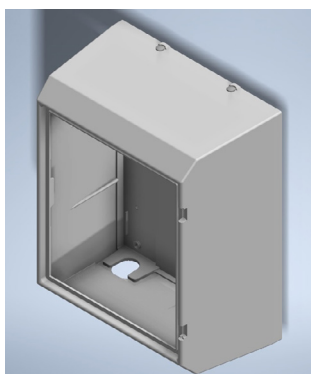
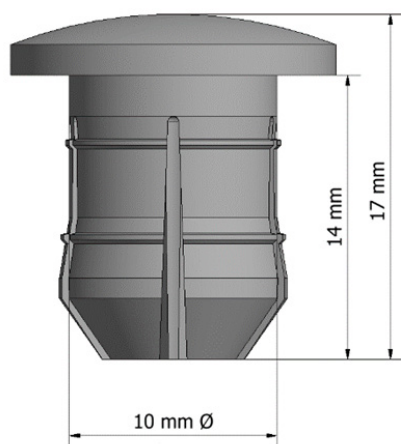
STOCK CODE: EK0005

Fixing solution for Mark 2 surface mounted front cover with the back frame.

Quantity: Six studs per pack.

DIMENSIONS

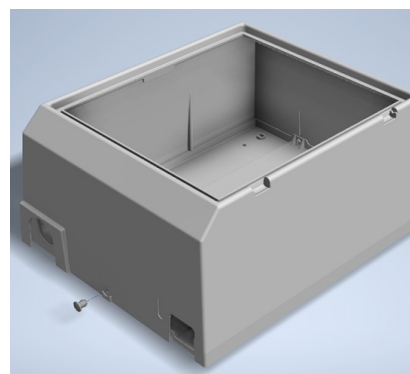
10mm shank diameter, 16mm head diameter, 17mm total height.



In-situ Stud fitted with Mark 2 Surface meter boxes.



Easy push-fit installation images



* Approximate dimensions.

In accordance with Tricel (Gloucester) Ltd normal policy of product development, these specifications are subject to change without notice.

[Buy Online](#)

Fixing Studs

Surface mounted meter box cover MK2
(all MK2 boxes)

10mmx16mmx17mm

STOCK CODE: EK0005

Fixing solution for Mark 2 surface mounted front cover with the back frame.

Quantity: Six studs per pack.

[Buy Online](#)

ASSOCIATED PRODUCTS



GDP0004:
Mark 2 Surface Mounted Gas
Box Door and Frame



GBP0002:
UK Standard Mark 2 Surface
Mounted Gas Meter Box



EBP0022:
Mark 2 Surface Mounted Electric
Meter Box

* Approximate dimensions.

In accordance with Tricel (Gloucester) Ltd normal policy of product development, these specifications are subject to change without notice.